



# UltraVoice™ Electronic Siren Controller

Model UV

## MICROPROCESSOR-BASED CONTROL SYSTEM FOR HIGH-POWER ELECTRONIC SPEAKER ARRAYS

- 7 built-in warning signals
- Up to 250 stored message, 17 hours of available audio
- Decodes single-tone, two-tone, DTMF and AFSK digital
- Quiet test standard
- Up to 8 controller zones
- Stackable siren functions
- Distinct dual tone capacity
- Highly efficient pulse width modulated amplifiers
- Windows®-based programming software (optional)

The Federal Signal UltraVoice® controller combines micro-processor based system control with highly efficient amplifiers to deliver optimized tones and voice capability for electronic sirens. The UltraVoice controller can generate and amplify single or dual frequency warning tones and comes with seven pre-set warning signals. In addition, the controller has been designed specifically to reproduce high quality live or pre-recorded-voice capability.

The controller includes a NEMA 4X cabinet housing the control module, up to eight 400 watt amplifiers, and a NEMA 3R battery cabinet. The unit may be equipped with a plug-in programmable receiver module, utilizing DTMF or two-tone sequential activation protocols. A digital voice option can be added by plugging in a single mini SD card which can store up to 250 messages.

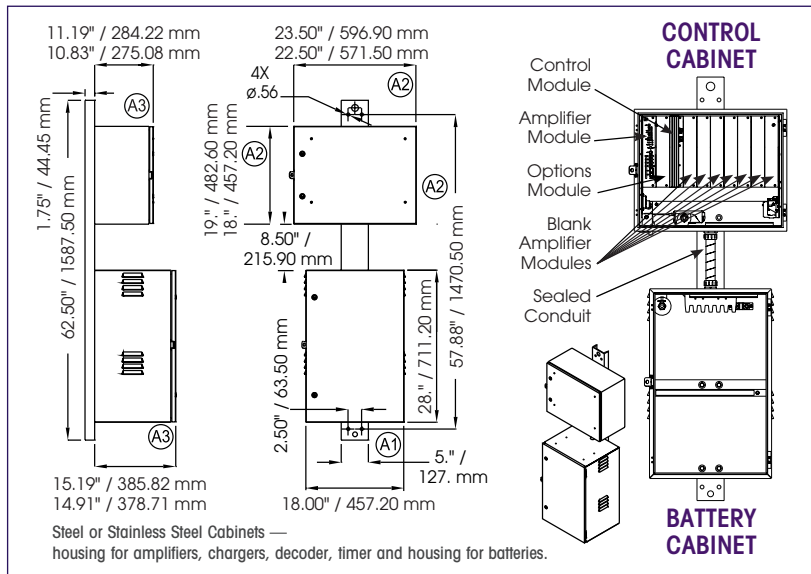
### Two-way Status System

The UltraVoice Controller can also be a two-way communication system. A transceiver allows the unit to report status back to a central control point utilizing DTMF or the Federal Commander Digital System protocol. Two transceiver ports are available for radio repeating or when using multiple frequencies.

The two-way option provides information on the following conditions:

- |                                 |                     |
|---------------------------------|---------------------|
| • AC power                      | • Signal A          |
| • Battery voltage               | • Signal B          |
| • Charger operation             | • Mode of operation |
| • Activation current            | • Intrusion         |
| • Amplifier voltage and current | • Local activation  |
| • Quiet test (Speakers & Amps)  | • SD card status    |

# ULTRAVOICE™ ELECTRONIC SIREN CONTROLLER



## HOW TO ORDER

Contact our Federal Signal Sales Engineers to design a system that meets your specific requirements. Considerations for system configuration:

UVTD	Siren control, two-way digital, no radio
UVTDH, UVTDU	Siren control, two-way digital, VHF (136-174), UHF (403-470)
UVTD-IP	IP-enabled, two-way electronic controller (broadband radio and SmartMsg software sold separately)
UVTD-LL	Siren control, two-way, landline

- Standard receiver is Motorola®, CDM750
- Standard models are 120VAC, add "240" to model for 240VAC versions
- Contact factory for low-band two-way models
- Batteries and antenna not included
- Stainless steel (S) control cabinets are also available

## OPTIONS

DVSD	Digital voice mini SD card, 250 messages, 17 hours
FSPWARE	Windows® programming software (Two-tone & DTMF)
UV400	400 watt amplifier, required with UV controllers
TB-LL	Telco Base, Landline
ES-PROG-DTMF	Two-way DTMF programming

## STANDARD TONES

<u>Tone</u>	<u>A/B Tone Frequency Range</u>	<u>Sweep Rate (seconds)</u>
Wail	400/480-850/1020	13.0
Pulsed Wail	400/480-850/1020	1.5 /13.0
Alternate Wail	400/480-850/1020	1.5/13.0
Steady	850/1020	N/A
Pulsed Steady	850/1020	1.5
Alternate Steady	850/1020	1.5

## SPECIFICATIONS

### Power

Input Voltage: 120/240VAC ±10%,  
50/60Hz single-phase  
(two separate models)

Input Current: 7 A Max.

Battery Input Voltage 24 Volts (nom.)

Operating Voltage: 24VDC

Standby Time: > 7 days

Continuous Signaling Time: 30 min.

### Control Module

Signal Duration (auto reset): 3 min. max

Microphone  
Input Impedance: 10k Ohms

Audio Distortion: 1% THD max.

Maximum Load: 600 Ohms

Contact Closure: (min) 500ms <2k Ohms

### Amplifier Module

Frequency Response:  
(300 to 3 kHz) ±3dB (ref. 1kHz)

Output Voltage (Tone and PA):  
(to speaker drivers) 70 Vrms (nom.)

Input Impedance:  
(per amplifier) 100k Ohms

### General

Operating Temperature\*\*:  
-22°F to 149°F -30°C to 65°C

Enclosures:  
Control Cabinet: Type 4 or 4X  
Battery Cabinet: Type 4 (vented)

\*\* The siren can operate throughout this temperature range provided the battery temperature is maintained at 0°F/-18°C or higher.

## BATTERY REQUIREMENTS

- Customer must provide necessary batteries. Call for assistance with specific system requirements.