



Electro-Mechanical Siren

Model ECLIPSE⁸

POWERFUL OMNI-DIRECTIONAL OUTDOOR WARNING SIREN

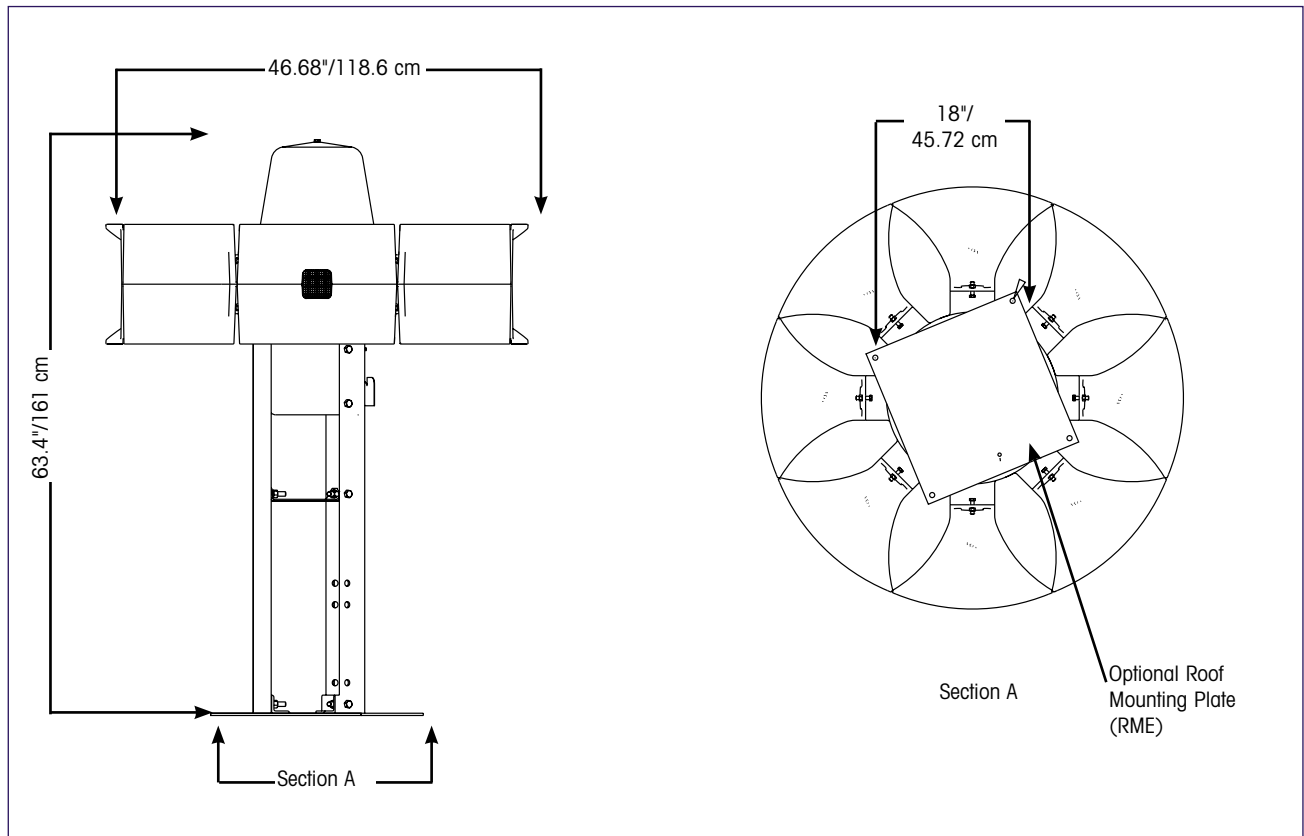
- Omni-directional for 360° coverage
- Three distinct warning signals
- Full battery operation or battery back-up option
- High efficiency design produces 115dBc at 100 ft while making moderate power demands
- Optional roof mount stand
- 100% aluminum design

The Eclipse⁸ is a mid-sized DC-powered omni-directional siren for outdoor warning that produces high intensity warning signals. This powerful and lightweight outdoor siren provides coverage with a maximum sound pressure level of 115dBc at 100 feet. The high decibel output provides maximum coverage with minimum installation costs. Operating from 48VDC, the siren utilizes the DC motor of our 2001 siren series for proven reliability.

The siren's eight projector horns covers a 360° omni-directional area, with the capability of producing three signal options: steady, wail and fast wail. The Eclipse⁸ will supply a minimum of 15 minutes of siren operation from its batteries even after 24 hours without AC power. The siren controls are available with battery operation, AC operation and AC operation with battery back-up. One-way and two-way radio control or landline options are available.

Model	Voltage	Decibels @100'	Operating Current	Output Frequency	Beam Width	Mount
Eclipse ⁸	48VDC	115dBc	112 amps (Nominal)	525Hz	360°	Roof or Steel pole

BATTERY POWERED SIREN (ECLIPSE⁸)



SPECIFICATIONS

Operating Temperature:	-22°F to 140°F	-30°C to 60°C
Effective Range @ 70dBc:	2200'	
Net Weight:	255 lbs.	116.0 kg
Shipping Weight:	380 lbs.	173.0 kg
Height:	63.4"	161.0 cm
Width:	46.68"	118.6 cm

HOW TO ORDER

Contact our Federal Signal Sales Engineers to design a system that meets your specific requirements.

Considerations for system configuration:

- Specify model (Eclipse⁸)
- Specify mounting options:
Steel Pole Mount (standard)
Roof Mount Equipment (optional)

OPTIONAL ACCESSORIES

<u>Description</u>	<u>Part Number</u>
Eclipse Siren Control AC operated, 208 or 220/240VAC (specify voltage). NEMA4X aluminum control cabinet, (2) 48VDC contactors, and transformer/rectifier. 182 lbs. / 53kg	2001AC
Federal Controller 120VAC NEMA4X aluminum control cabinet, (4) chargers (2) 48VDC contactors, and NEMA 3R aluminum battery cabinet. (4) preset siren functions. Radio not included. 224 lbs. / 102Kg	DCFCB

REPLACEMENT PARTS

<u>Description</u>	<u>Part Number</u>
Motor	84020061