

Vibratone® Horns

Models 350 and 450



DESIGNED FOR ROUTINE SIGNALING

- Range of up to 200 feet
- Coded or sustained tones
- Model 350 – 12, 24, 120 and 240VAC; Model 450 – 12, 24, 125 and 250VDC
- Model 350 produces 100dBA at 10'
- Model 450 produces 99dBA at 10'
- Type 4X when installed with Panel Mount Gasket Kit or Weatherproof Backbox (Model WB); Type 4X and Type 12 when installed with Surface Mount Trim Ring (Model TR)
- UL and cUL Listed, CSA Certified and FM Approved

The Models 350 and 450 Vibratone Horns produce a very loud horn tone by the electro-mechanical vibration of a diaphragm. Capable of reproducing coded blasts or sustained tones through the use of a number of control devices from a push button to a PLC. Federal Signal's Vibratone horn is excellent for general alarm, start and dismissal, coded paging, and process control signaling in areas of high ambient noise levels.

The Vibratone Model 350 is available in AC voltages; 12VAC, 24VAC, 120VAC and 240VAC. The Model 350 produces 100dBA @ 10', except the 12VAC model, which produces 94dBA @ 10'.

The Model 450 is available in DC voltages; 12VDC, 24VDC, 125VDC and 250VDC. The Model 450 produces 99dBA @ 10'.

Vibratone mounting options provide for surface, flush or semi-flush mounting on walls, panels, in cabinets, on 4-inch square outlet boxes, or in concrete and deep wall constructions.

Installed on the front of a Vibratone Horn, the optional Model PR Projector or Model PR2 Double Projector direct sound output straight ahead or to the sides, optimizing sound output for long, narrow rooms or corridors.

Vibratone horns are UL and cUL Listed, CSA Certified and FM Approved. They are designed and approved for use in Type 4X applications when installed with the Panel Mount Gasket Kit or Weatherproof Backbox (Model WB). They are approved for Type 4X and Type 12 applications when installed with the Surface Mount Trim Ring (Model TR, illustrated on page 124).

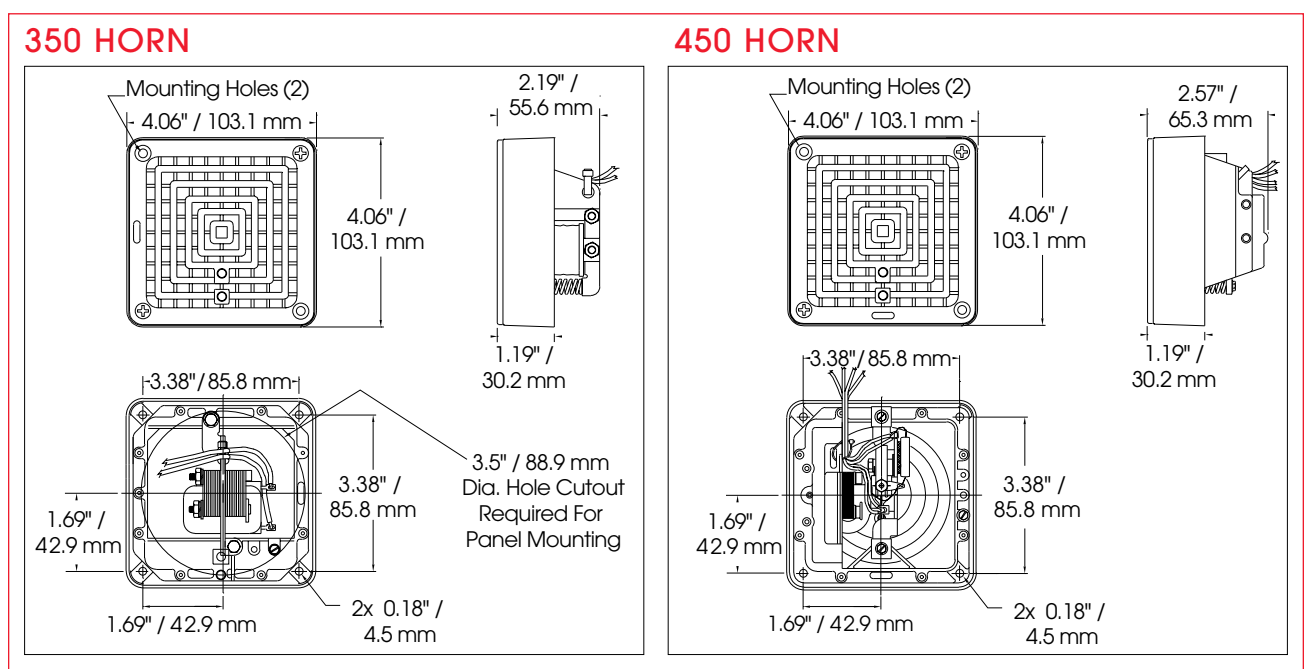
Each Vibratone horn is enclosed in a zinc die-cast housing and sealed with grey powder-coat paint. The Model 350 features a stainless steel diaphragm. The Model 450 utilizes an aluminum diaphragm and heavy duty contacts. The rugged construction of the Vibratone horns resists vandalism and the effects of harsh industrial environments.

Compact size, loud output and heavy-duty construction make the Vibratone horns ideal for industrial and institutional signaling applications.

Model	Voltage	Operating Current	Decibels @	
			10'	1m
350-012-30	12VAC 50/60Hz	0.90 amps	94	104
350-024-30	24VAC 50/60Hz	0.90 amps	100	110
350-120-30	120VAC 50/60Hz	0.18 amps	100	110
350-240-30	240VAC 50/60Hz	0.09 amps	100	110
450-012-30	12VDC	0.13 amps	93	103
450-012-31	12VDC	0.50 amps	99	109
450-024-31	24VDC	0.25 amps	99	109
450-125-30	125VDC	0.05 amps	99	109
450-250-30	250VDC	0.03 amps	99	109



VIBRATONE® HORNS (350/450)



SPECIFICATIONS

Operating Temperature:	-65°F to 150°F	-54°C to 66°C
Net Weight:	1.4 lbs.	0.6 kg
Shipping Weight:	1.5 lbs.	0.7 kg
Height:	4.06"	103.1 mm
Width:	4.06"	103.1 mm
Depth:	2.19"	55.6 mm

HOW TO ORDER

- Specify model and voltage
- Specify accessories from list

ACCESSORIES

FB	Wall box for flush mounting the Vibratone® horn in stud, 4" block, or other shallow wall construction; 4 ³ / ₈ " square box; 2 ⁷ / ₈ " deep; shipping weight 2 lbs. (0.91 kg)
FBL	Same as FB, but 3 ¹³ / ₁₆ " deep for 6" x 8" concrete block, cinder block or other deep wall construction; shipping wt. 3 lbs. (1.36 kg)
FG	Flush grille which attaches to the basic unit and serves as the cover of the plastered-in FB flush box; 6" H x 6" W x 1/8" D; shipping wt. 1 lb. (0.45 kg)
K8435666A	Optional Panel Mounting Gasket Kit includes a gasket and hardware for surface or flush mounting the horn for NEMA Type 4X applications.
PR	Projector which concentrates sound into a basic area when attached to the basic model 350/450 units; 4" H x 4" W x 6" D; shipping weight 1 lb. (0.45 kg)
PR2	Double projector directs sounds to both sides when attached to the basic model 350/450 units; ideal for use in hallways; 4" H x 11 1/2" W x 4" D; shipping weight 2 lbs. (0.91 kg)
SF	Stamped surface plate used for installations on plastered-in 4" outlet switch boxes for semi-flush mountings; 6" H x 6" W x 1/2" D; shipping weight 1 lb. (0.45 kg)
TR	Gasketed trim ring allowing surface mount installations of 350/450 units while maintaining Type12 and Type 4X rating of enclosure.
WB	Cast aluminum neoprene-gasketed weatherproof housing for outside use, complete with mounting lugs; tapped for 1/2", 3/4" conduit; 4 ³ / ₈ " square box; 2" deep mounting lugs on 4 1/2" centers; shipping weight 1 lb. (0.45 kg)

REPLACEMENT PARTS

<u>Description</u>	<u>Part Number</u>
Panel Mount Gasket Kit	K8435666A
Volume Control Kit (350 Horn only)	K8435663B
Coil, 120VAC (350 Horn only)	KFC1516C