



Battery Powered Electro-Mechanical Siren

Model 2001-130

DESIGNED FOR OUTDOOR WARNING

- Patented stator/horn design allows highly efficient, high-output operation from minimal battery source
- Sound output can cover four square miles
- Full battery operation or battery backup
- Produces 130dBc @ 100'
- Three-tone – Wail, Fast Wail and Steady
- Maintenance-free sealed bearing motors
- UL Listed Siren Controllers

The Federal Signal Model 2001-130 is a unique innovation in the high power outdoor warning siren market. The patented design represents a new generation of rotating, uni-directional Electro-Mechanical sirens.

The 2001-130 can be operated with a 120VAC battery-backup control cabinet or a 240VAC/DC control cabinet.

This siren can be controlled remotely via wire or radio with the Model FC controller. The Model 2001-130 produces three distinctly different tones - Wail, Fast Wail and Steady. The high decibel output provides for maximum coverage from a single siren site.

Federal Signal's Model 2001-130 produces 130dBc at 100 feet. Its ring radiator projects a 60° beam of sound which rotates at 3 RPM and is adjustable to 6 RPM. The design allows for small size without compromising sound output, and minimizes wind loading.

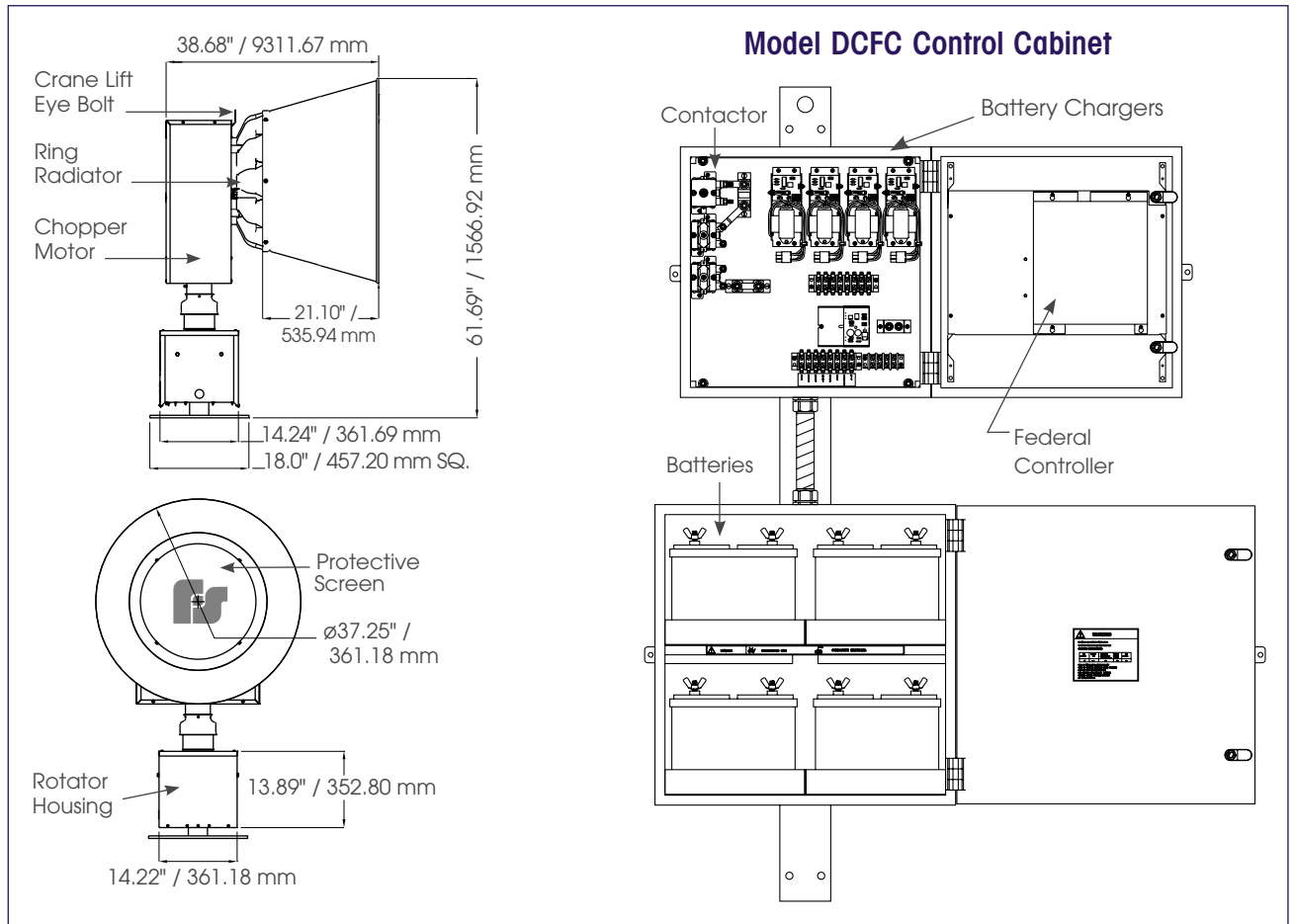
The Model 2001-130 is ideally suited for wide area coverage with high decibel output and attention getting signals. The Model 2001-130 also overcomes high ambient noise areas, such as those found in industrial plants, steel mills, chemical plants and refineries.

Model	Voltage	Decibels @ 100'	Operating Current	Standby Current
2001-130	48VDC	130dBc	100 amps (Nominal)	N/A
DCFCB	120VAC	N/A	4 amps	0.2 amps
2001AC	240VAC ¹	N/A	30 amps ²	N/A

¹ Also operates on 208 or 220/240VDC (please specify)

² 50 amp service recommended

ELECTRO-MECHANICAL SIREN (2001-130)



SPECIFICATIONS

Rotation Speed:	(2001-130) 3-6 RPM (adj.)
Continuous Signal Time*:	(2001DC) 15 minutes minimum @ full output
Standby Time:	(2001DC) 20+ days with 5 minutes full signal reserve
Effective Range at 70dBc:	6400 ft.

STONE

Steady:	790Hz	N/A
Wail:	470-790Hz	10.0 sec.
Fast Wail:	600-790Hz	3.5 sec.

FREQUENCY

SWEEP

* After AC power failure

HOW TO ORDER

Contact our Federal Signal Sales Engineers to design a system that meets your specific requirements.

Considerations for system configuration:

- Specify model
- Specify controller

Model Number	Operating Temperature	Net Weight	Shipping Weight	L	Dimensions W	H
2001-130	-22°F – 140°F	395 lbs.	450 lbs.	41"	37"	55"
	-30°C – 60°C	180 kg	205 kg	104.14 cm	93.98 cm	139.7 cm
DCFCB	-22°F – 140°F	141 lbs.	234 lbs.	16"	24"	48"
	-30°C – 60°C	64 kg	106 kg	40.64 cm	60.96 cm	121.92 cm
2001AC	-22°F – 140°F	159 lbs.	182 lbs.	10"	24"	24"
	-30°C – 60°C	72 kg	83 kg	25.4 cm	60.96 cm	60.96 cm