

Omni-Directional Siren

Model 2



POWERFUL OMNI-DIRECTIONAL OUTDOOR WARNING SIREN

- Available in 120VAC/DC and 240VAC/DC
- High-efficiency design requires only moderate power
- Produces 102dBc @ 100'
- Roof mount standard and pole mount optional

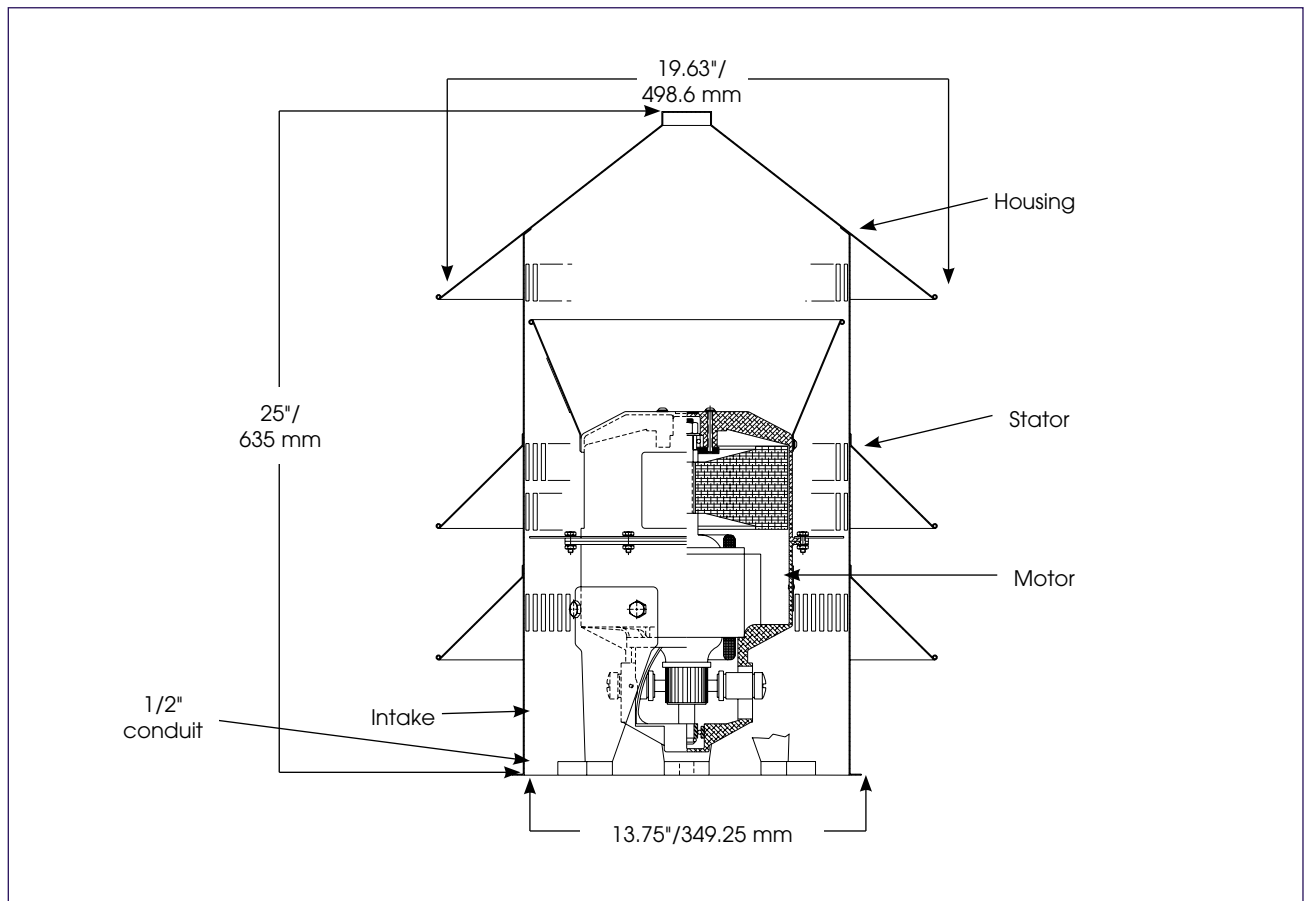
Federal Signal's Model 2 outdoor warning siren is an omni-directional siren capable of producing intense warning signals over a large area. The siren can be installed on a roof or utility pole.

Federal Signal's Model 2 is a single tone siren capable of producing 102dBc at 100 feet while making only moderate power source demands. The Model 2 has a universal motor which operates from either 120VAC/DC or 240VAC/DC. A Federal Signal Model RC2W motor starter (purchased separately) is required to operate this siren.

Federal Signal's Model 2 can serve as an outdoor plant-wide warning system where volume is needed to contrast with high ambient industrial sounds. It is ideal for use in the large, wide open areas found in industrial facilities such as refineries, steel mills and manufacturing plants. The Model 2 can be used for start/stop work signaling, plant evacuation or other emergency situations.

Model	Voltage	Decibels @100'	Output Frequency	Beam Width	Mount
2-120	120VAC/DC	102dBc	533Hz	360°	Roof (standard) or
2-240	240VAC/DC	102dBc	533Hz	360°	Pole (Model PMS required)

OMNI-DIRECTIONAL SIREN (2)



SPECIFICATIONS

Recommended Mounting Height:	35-40 feet	10.7–12.2 m
Available Tones:		1 standard
Effective Range*:	1,000 feet	304.8 m
Power Rating:	2 HP	2 HP
Power Requirements:	120VAC/DC	24A, single phase
	240VAC/DC	12A, single phase
Net Weight:	59.0 lbs.	23.6 kg
Shipping Weight:	85.0 lbs.	36.0 kg
Height:	25.0"	635.0 mm
Diameter:	19.63"	498.6 mm

* Output a minimum of 70dBc

HOW TO ORDER

Contact our Federal Signal Sales Engineers to design a system that meets your specific requirements.

Considerations for system configuration:

- Specify model and voltage
- Specify motor starter (RC2W)
- Optional Accessories:
Pole Mount Stand (PMS)
Radio Activated Controller (FC)
- Specify radio frequency

REPLACEMENT PARTS

<u>Description</u>	<u>Part Number</u>
Bearing (Two Required)	8239A045
Brush and Spring (Two Required)	8247A020
Brush Holder (Two Required)	8247A021